

OPERATOR'S MANUAL

651702

INCLUDE OPERATOR'S MANUAL: 65179X-X-B LOW PRESSURE MATERIAL REGULATOR (PN 97999-552)

RELEASED: 3-16-94
 REVISED: 9-15-00
 (REV. B)

651702 DOWNSTREAM MATERIAL REGULATOR 1-1/4" NPTF STAINLESS STEEL W / TC SEAT

MAXIMUM PRESSURE RATING: 1,250 PS1 (86 BAR)

MAXIMUM REGULATED PRESSURE RATING: 60 PSI (4.2 BAR)

Model 651702 is similar to other models in the Standard Low Pressure Downstream Regulator Series.

In this model the Valve Section has a larger (40) stem, (44) spring, (43) ball and the large inlet / outlet (48) base etc.

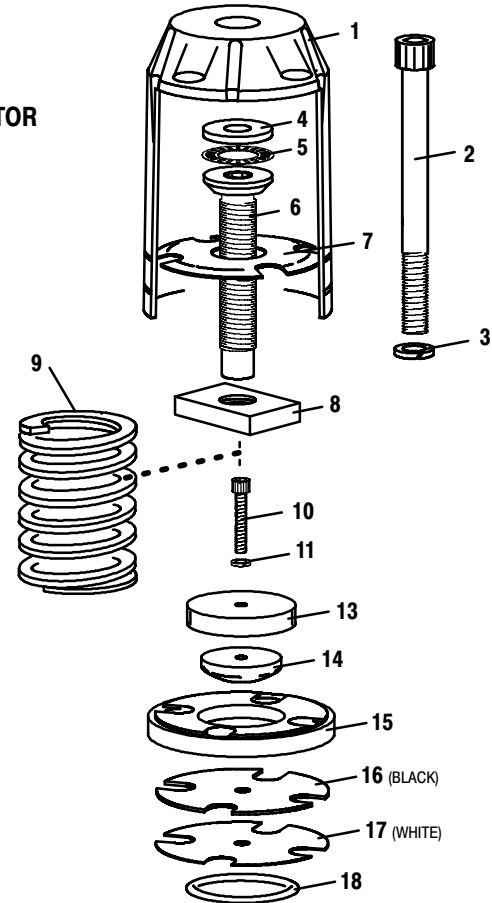
The 65179X-X-B Operator's Manual needs to be used for General Information, Installation, Operation and Maintenance.

651702 PARTS LIST

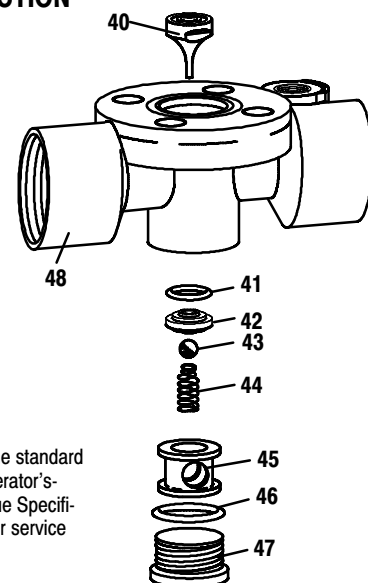
ITEM	DESCRIPTION (Size in Inches)	PART NO.	QTY
✓	Diaphragm Service Kit Parts	62173	
○	Seat Kit Parts	61967-1	
1	Housing	93534-1	(1)
2	Bolt (7/16" x 5")	93487-2	(4)
3	Washer (7/16")	Y79-716	(4)
4	Washer (1.173 o.d. x .119 Thk)	93485-1	(1)
5	Thrust Bearing (1.173 o.d.)	93484-1	(1)
6	Adjusting Screw (5/8" - 24, Left Hand)	93486-1	(1)
7	Plate	93818	(1)
8	Adjusting Nut	93481-1	(1)
9	Spring (Gray)	93638-1	(1)
10	Screw (#10 - 32 x 7/8")	Y191-107	(1)
11	Lock Washer (#10)	Y14-10	(1)
13	Small Plate	93893	(1)
14	Button	93889	(1)
15	Plate	93633-2	(1)
✓16	Diaphragm (.062" Thick, black)	93883	(1)
✓17	Diaphragm (.020" Thick, white)	93630-1	(1)
✓18	"O" Ring (3/32" x 1-7/8" o.d.)	Y328-131	(1)
40	Valve Stem	93975	(1)
○41	"O" Ring (1/16" x 15/16" o.d.)	Y328-19	(1)
○42	Seat	93522-1	(1)
43	Ball	93510-1	(1)
44	Spring	93480-1	(1)
45	Flow Tube	93490-1	(1)
47	Base Plug (Includes (46) "O"Ring)	61957-1	(1)
48	Base	93655-2	(1)
51	Coupling (1/4" NPT) (Not Shown)	Y43-242-S	(1)
52	Nipple (1/4" NPT x 4") (Not Shown)	Y44-15-S	(1)
53	Wrench, Allen (3/16") (Not Shown)	Y106-109	(1)
54	Screw (Not Shown)	93819	(1)
55	Nut (7/16" - 20) (Not Shown)	Y11-7-C	(2)
56	Lockwasher (7/16") (Not Shown)	Y14-716	(1)
57	Stud (Not Shown)	92987	(1)

PN 97999-611

UPPER REGULATOR SECTION



VALVE SECTION



Note: Refer to the standard 65179X-X-B Operator's Manual for Torque Specifications and other service information.

